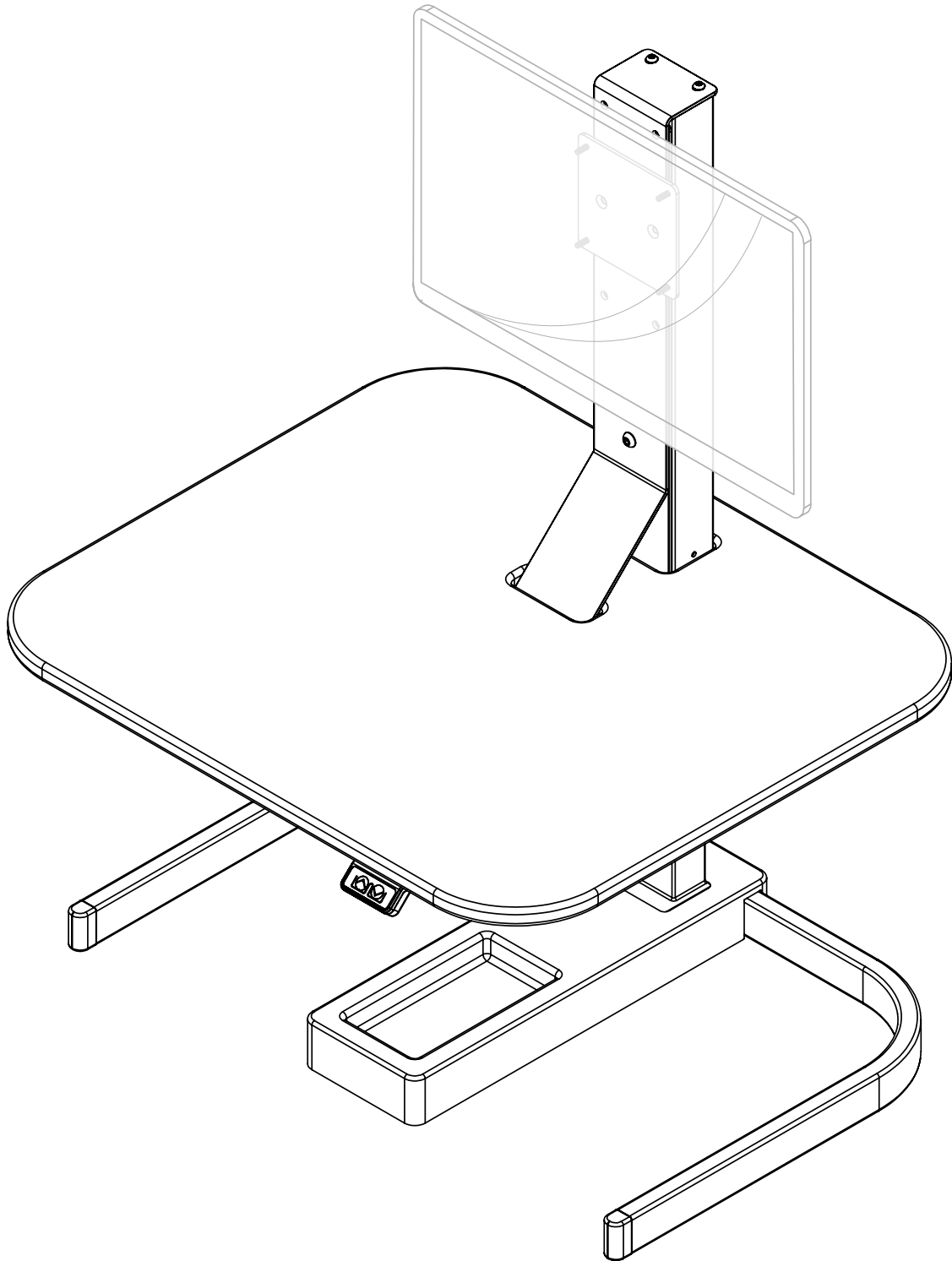


evodesk™ XE

YOUR DESK, TRANSFORMED.



ver. XE-816A

Assembly Instructions

Preface

We are delighted that you have chosen Evodesk. Congratulations, you have selected the most advanced and sophisticated power-adjustable standing desk converter available today. Our bodies weren't meant to sit or stand for hours at a time. Now you have the choice to sit or stand with the press of a button.

This user manual gives basic instructions for Evodesk XE and Evodesk Pro models. We are sure that your Evodesk will provide you with many years of enjoyment. Should you ever experience a problem with any of our products, please contact us.

Thank you for choosing Evodesk. We hope you enjoy your Evodesk for many years!

~Evodesk Team

Table of Contents

Safety Instructions.....	Page 4
Unpacking & Preparation.....	Page 6
System Components List & Parts List.....	Page 7
Step 1: Lifting Column.....	Page 8
Step 2: Base Foot.....	Page 9
Step 3: Lift Cable.....	Page 11
Step 4: Center Cover.....	Page 12
Step 5 & 6: Control Box, Raise Column.....	Page 13
Step 7: Lower Support Arm.....	Page 14
Step 8: Desktop Platform.....	Page 15
Step 9: Attach Platform.....	Page 20
Step 10: Column End Screws.....	Page 22
Step 11: Vesa Mount.....	Page 23
Step 12: Dual Vesa Mount (optional).....	Page 24
Step 13: Base Caps.....	Page 26
Step 14: Mount Monitor.....	Page 27
Troubleshooting & Repairs	Page 28
Limited Warranty.....	Page 29



Safety Instructions

WARNING! FAILURE TO COMPLY WITH OR OBSERVE ALL ASSEMBLY SAFETY AND OPERATING INSTRUCTIONS AND WARNINGS REGARDING THE USE OF THIS PRODUCT MAY RESULT IN SERIOUS BODILY INJURY.

The safety of Evodesk clients and users is our primary concern.

To ensure safe operation:



Read and understand this manual before attempting to install or operate the Evodesk XE.



Verify that everyone who uses the Evodesk XE is informed of the contents of this manual. This is the responsibility of the purchaser.



Leave this manual near the Evodesk XE and if possible, permanently affixed to the desk.

Safe use of the system is possible only when the operating instructions are read completely and the instructions contained are strictly observed.

Failure to comply with instructions below “QUICK TIP” may result in serious damage to the system or one of its components. Persons who do not have the necessary experience or knowledge of the Evodesk XE must not use the product. Persons with reduced physical or mental abilities must not use the Evodesk XE, unless they are under supervision or they have been thoroughly instructed in the use of the apparatus by a person who is responsible for the safety of these persons.



Safety Instructions (cont.)

Children must remain under close supervision to ensure that they do not play with the product.



It is important for everyone who is installing or using the Evodesk XE to have the necessary information and access to this User Manual.



If there is visible damage on the product it must not be installed.



The Evodesk XE is not intended for use by young children or for those persons who require supervision.



Children should be supervised to ensure that they do not tamper or play with the Evodesk XE.

Before Installation, Reinstallation, or Troubleshooting:

Stop the Evodesk XE.

Turn the power supply off by pressing the switch. Unplug the standing desk converter from the wall outlet.

Remove all objects from the desktop platform to reduce weight.

Before Start Up:

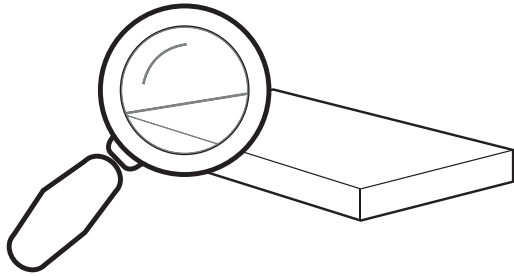
Make sure the Evodesk XE has been installed as specified in this manual.

System Connection - the individual parts must be connected before the control box is connected to the main power supply.

If the control box makes unusual noises or has an odor, switch off the main power supply immediately.

Make sure the cables are not damaged.

Unpacking Your Evodesk



Carefully remove the packaging from the Evodesk XE and then inspect all components for any shipping damage. Report any damage to the shipping company and fill out a concealed damage report.

Assembly Preparation



It is recommended to build your Evodesk XE on a non-abrasive surface to avoid damaging the desktop.



Remove all parts and components from the box.



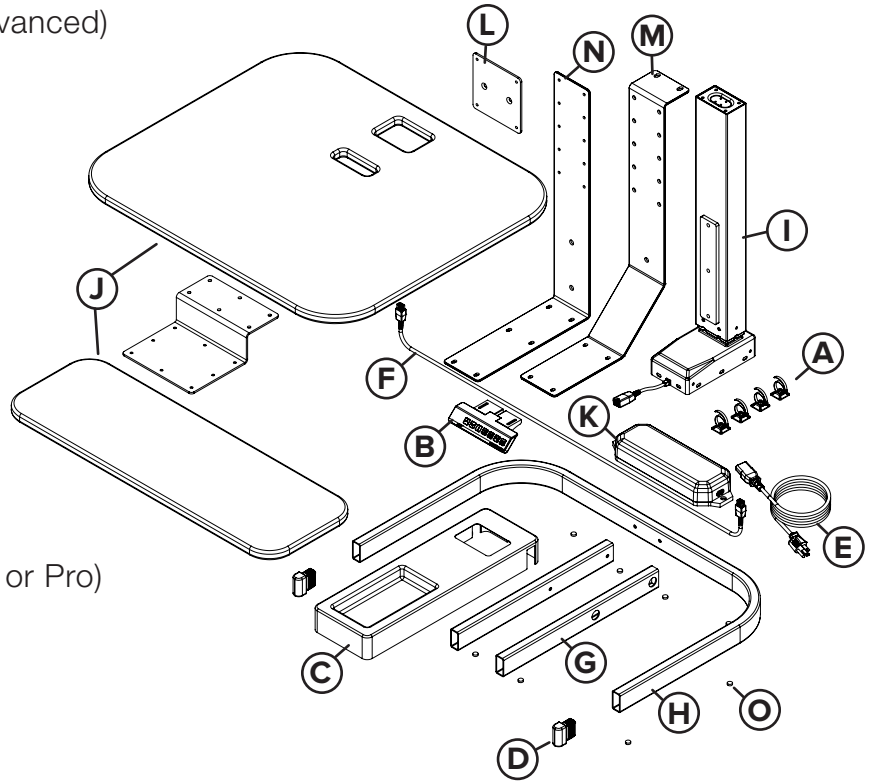
Ensure all parts and components listed on Page 7 have been included.

QUICK TIP: DO NOT over-tighten screws during installation.



System Components List

- A. 4 - Adhesive Cable Ties
- B. 1 - Control Panel (Standard or Advanced)
- C. 1 - Center Cover
- D. 2 - Foot End Cap
- E. 1 - Power Cable
- F. 1 - Lift Cable
- G. 2 - Inner Feet
- H. 1 - Base Foot
- I. 1 - Lifting Column
- J. 1 - Desktop Platform(s) (Standard or Pro)
- K. 1 - Control Box
- L. 1 - Vesa Mount
- M. 1 - Support Arm Upper
- N. 1 - Support Arm Lower
- O. 10 - Protective Pads



* - Will vary based on your desk configuration

Pro Version Only



*1 - Pro Platform



*8 - #8- 1/2" Flat Wood Screws



*6 - #12 - 5/8" Wood Screws



*1 - Lower Pro Bracket



2 - #10 - 5/8" Wood Screws



4 - M4-16mm Button Head Screws



2 - M6-14mm Flat Head Screws



14 - M6-25mm Button Head Screws



2 - M8-14mm Button Head Screws

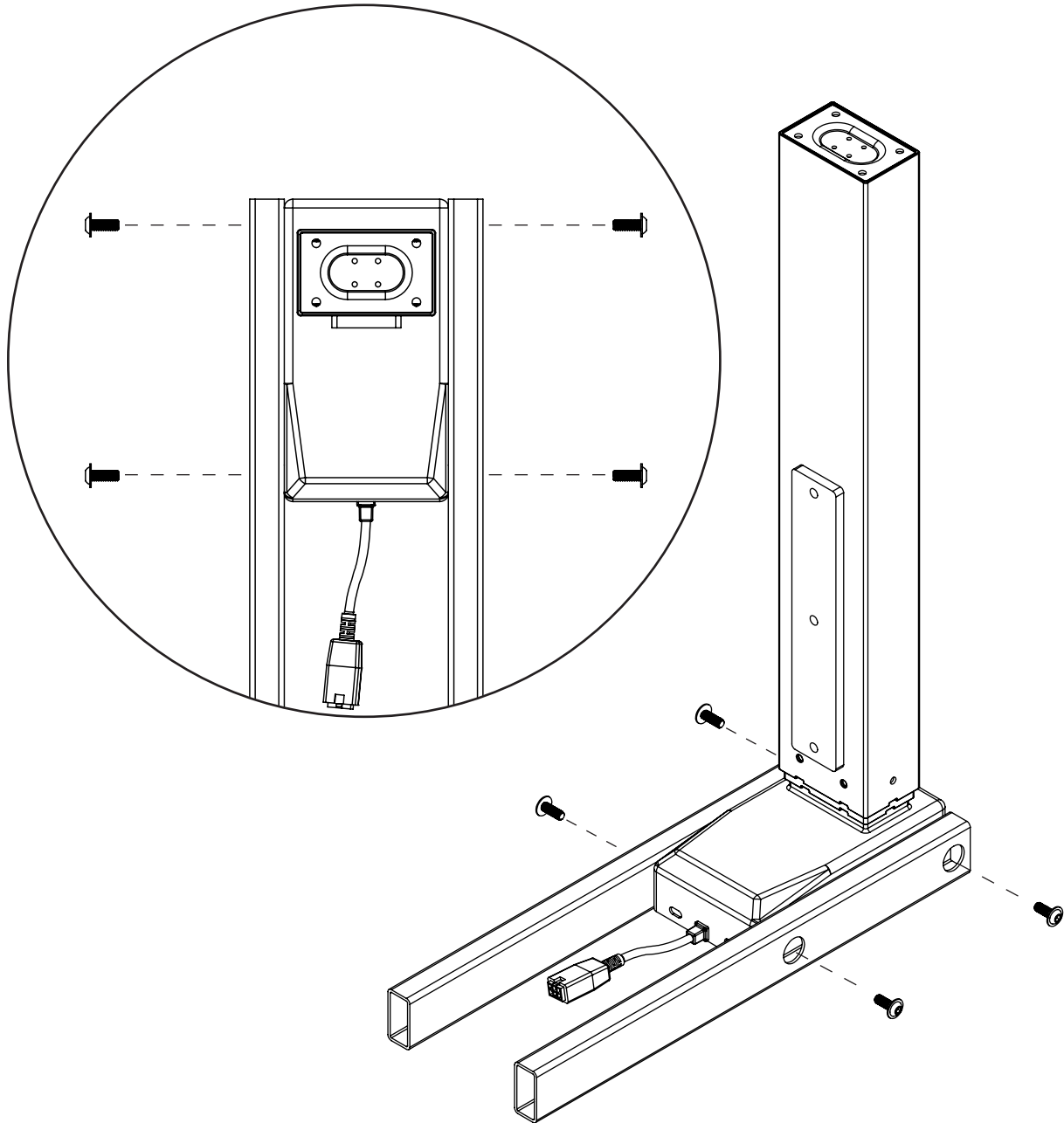


1 - M8-10mm Button Head Screw

Step
1

Lifting Column

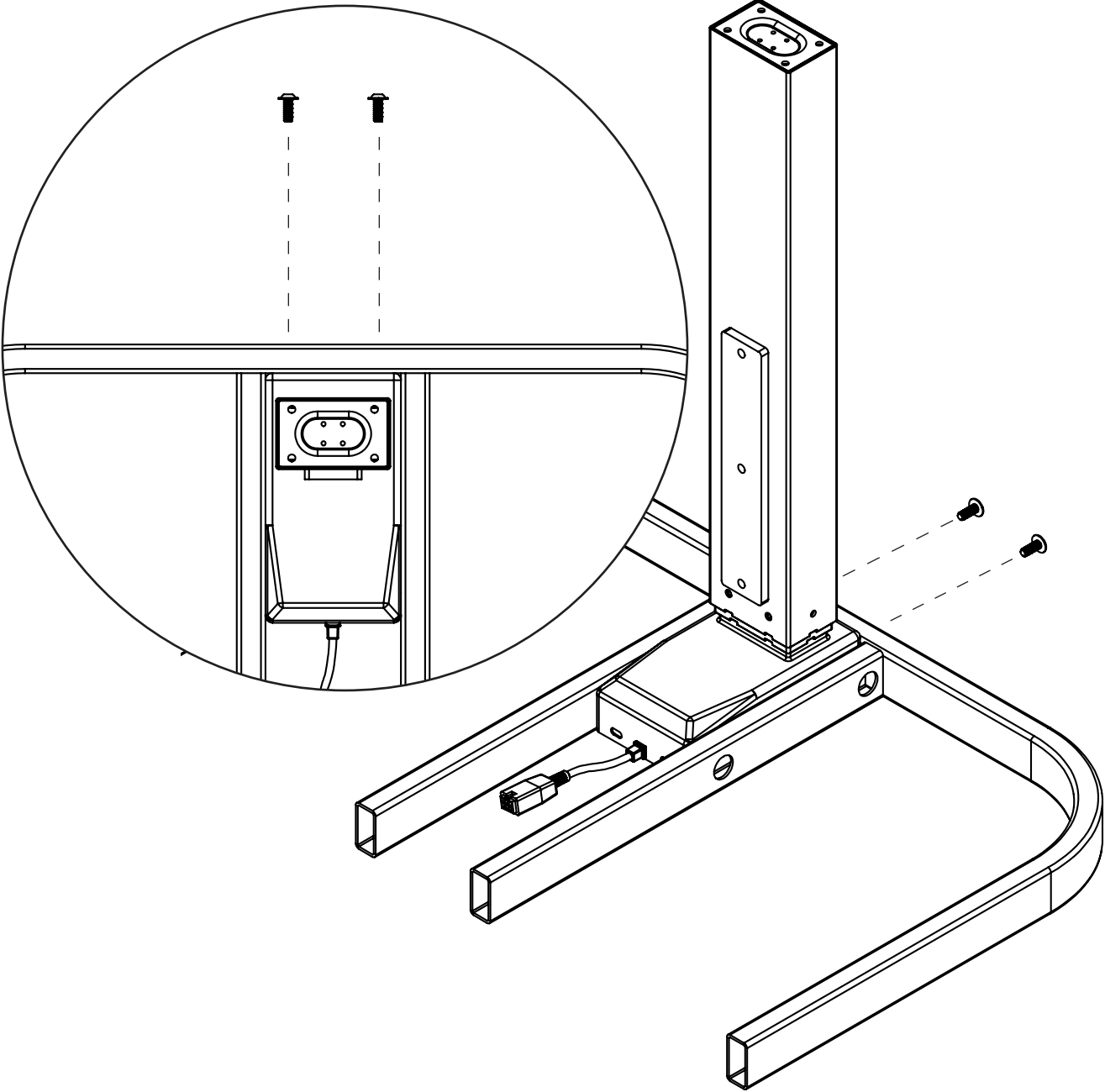
Attach the Lifting Column to the two Inner Feet using four of the M6-25mm Button Head Screws.



Step
2a

Base Foot

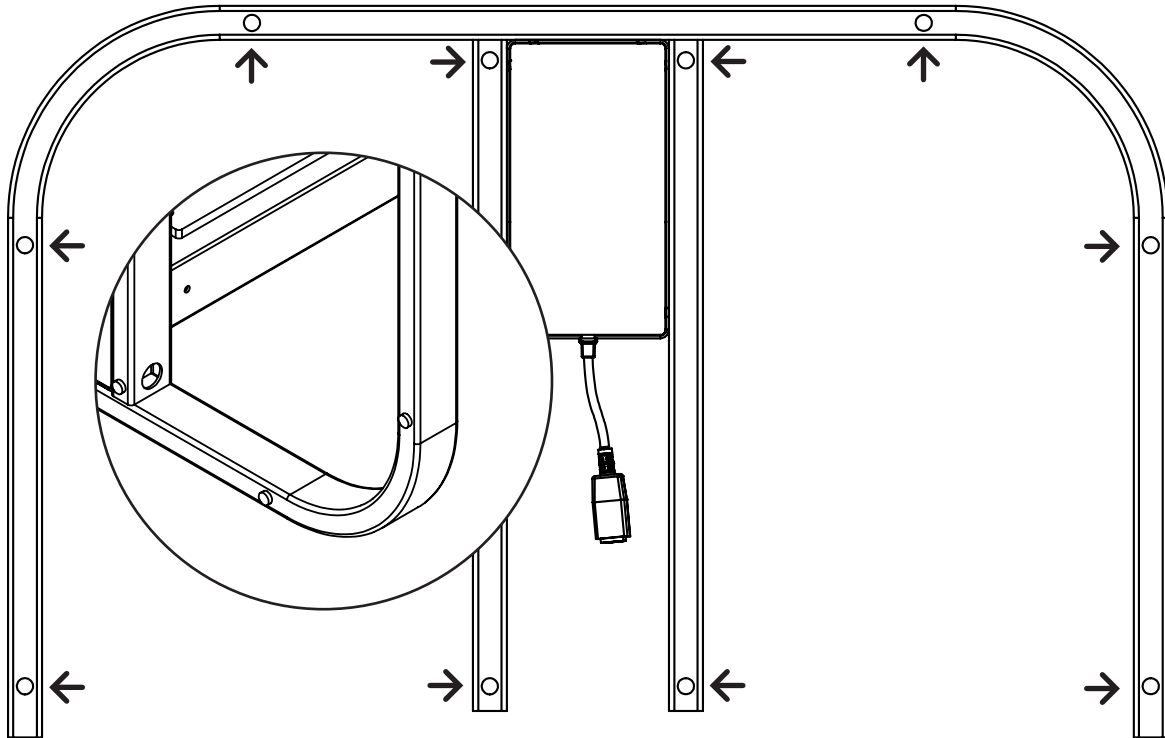
Attach the Base Foot to the assembly using two of the 25mm Button Head Screws.



Step
2b

Protection Pads

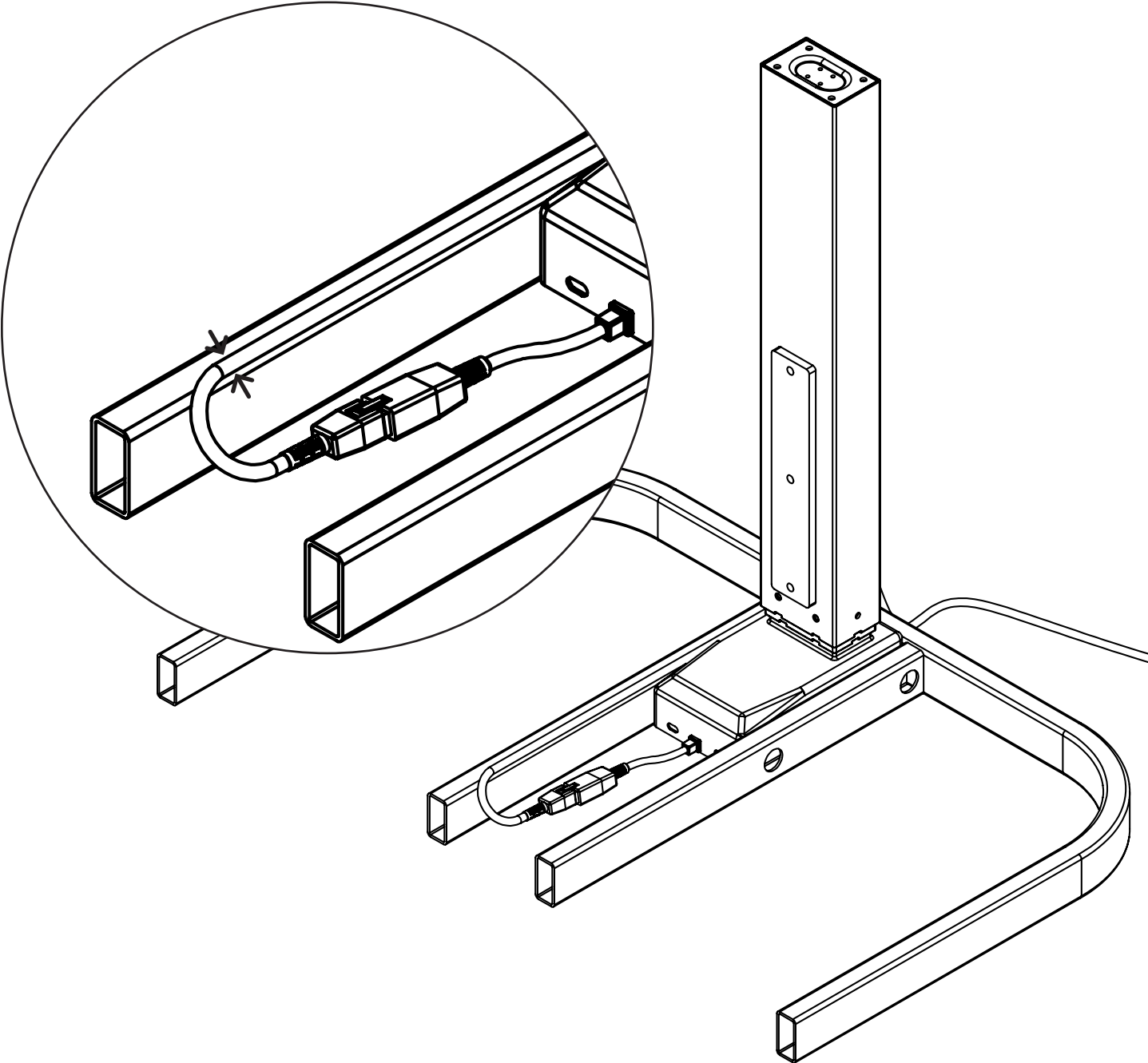
Turn the assembly on its side and adhere the ten Protective Pads to the locations shown below on the underside.



Step
3

Lift Cable

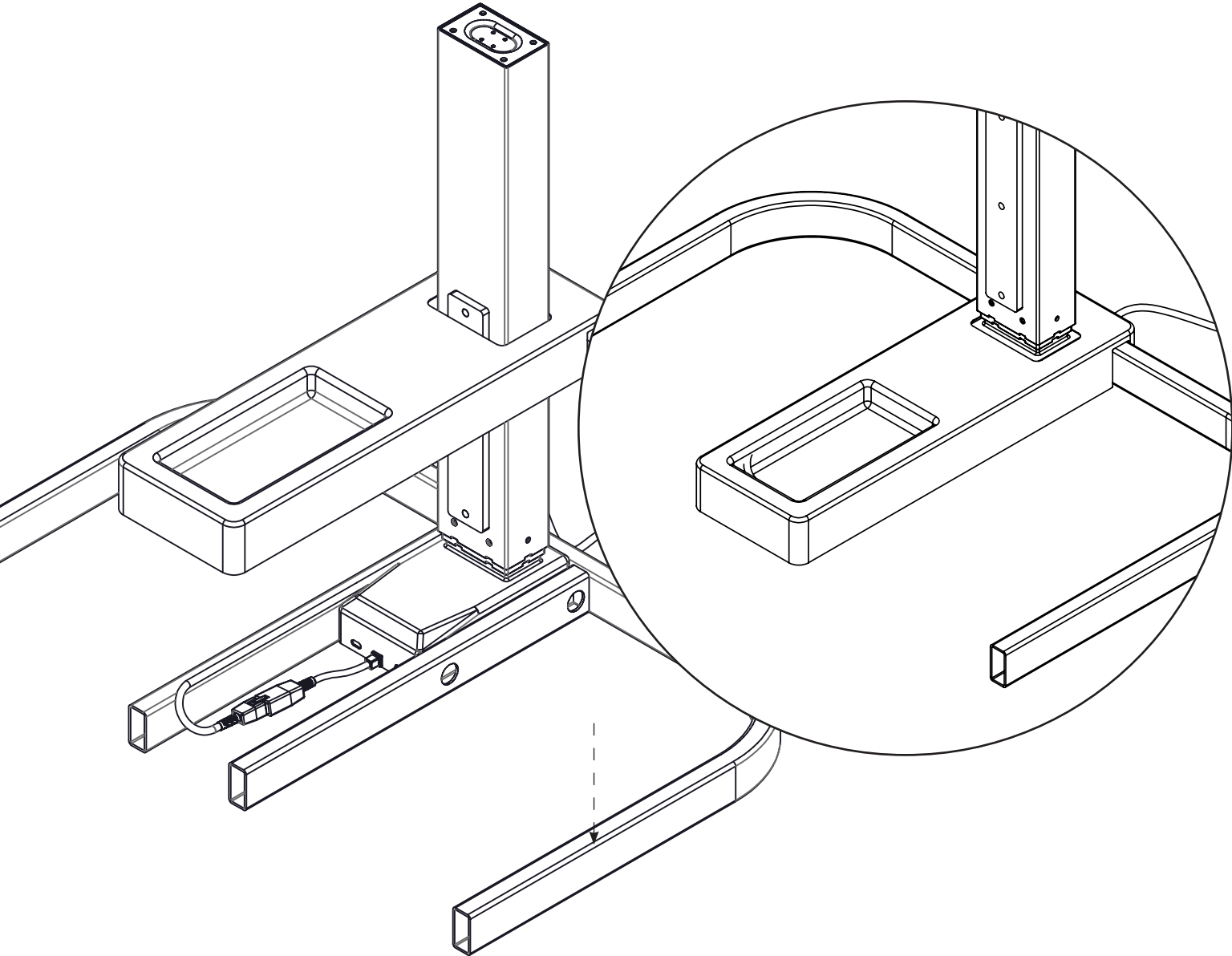
Connect the Lift Cable to the Lifting Column and route the cable above an Inner Foot as shown in the diagram. Do not worry if it does not hold its place at this time. The next step will secure it in place.



Step
4

Center Cover

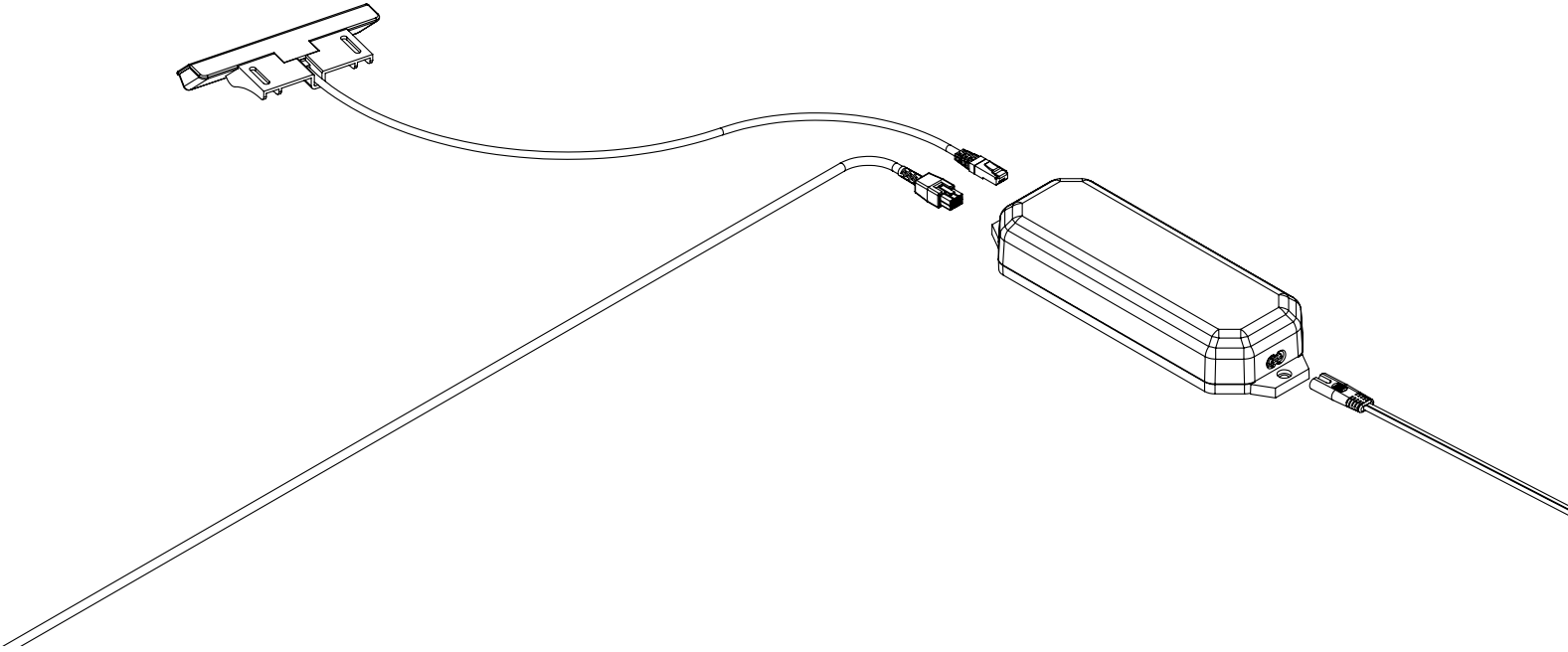
Slide the Center Cover over the top of the Lifting Column. Here the Lifting Cable can be adjusted to fit as shown in Step 3.



Step
5

Control Box

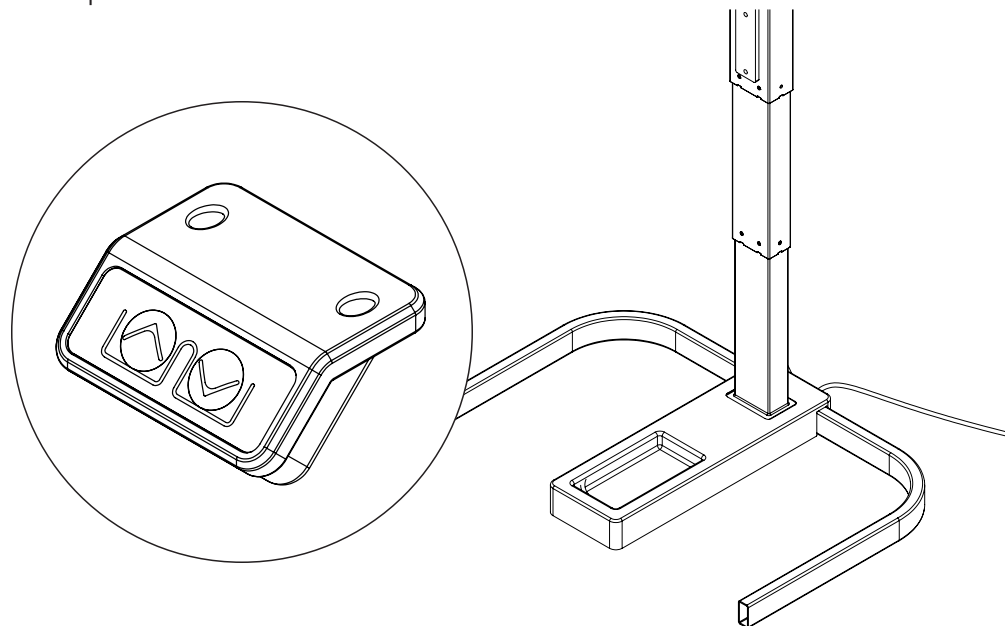
Connect the other end of the Lifting Cable to the Control Box. Also connect the Control Panel and Power Cable to the Control Box.



Step
6

Raise Column

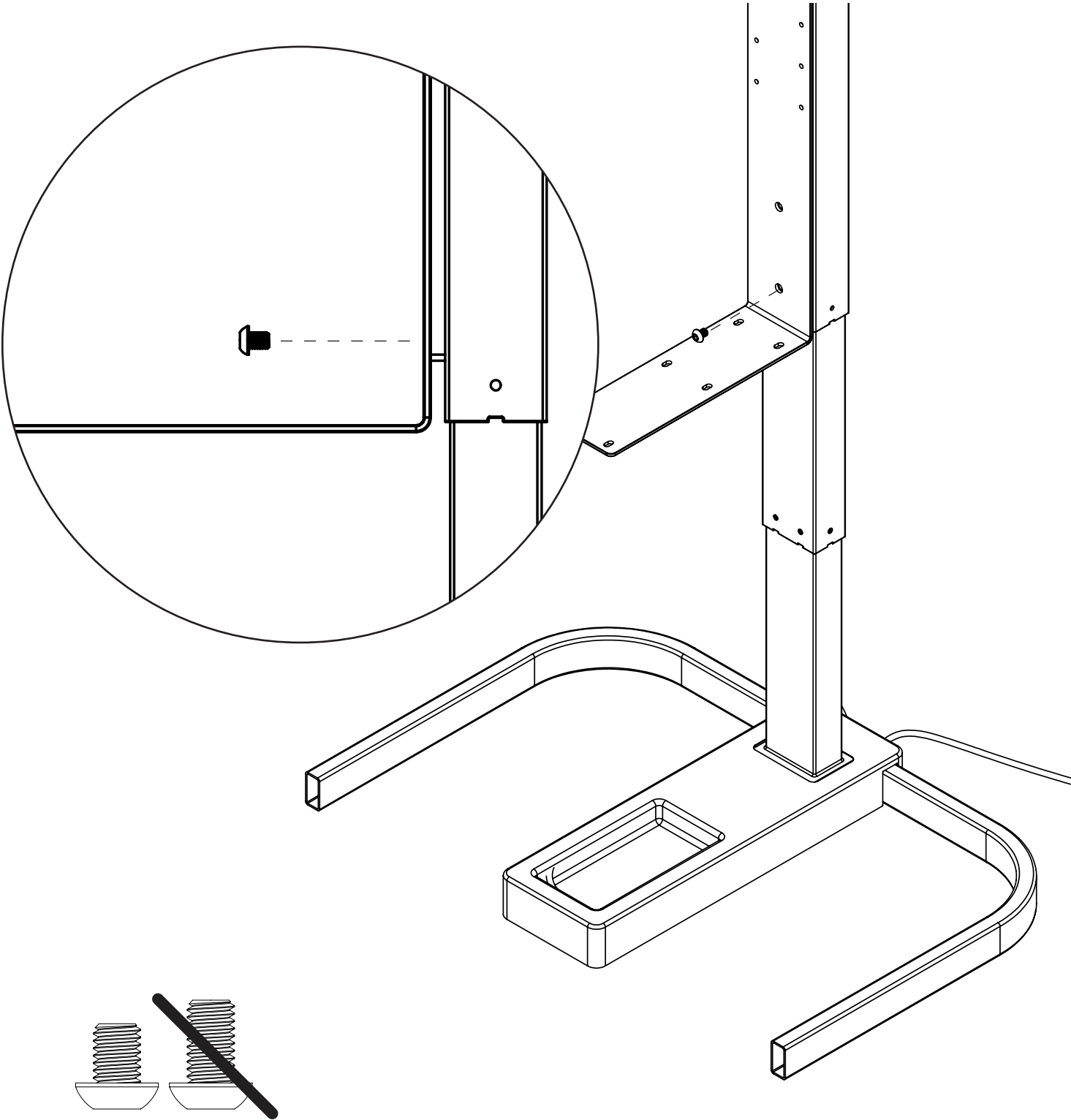
Plug the Power Cable into an outlet. Using the up (^) button on the Control Panel, raise the column to its max height. This will ensure easier assembly in future steps.



Step
7

Lower Support Arm

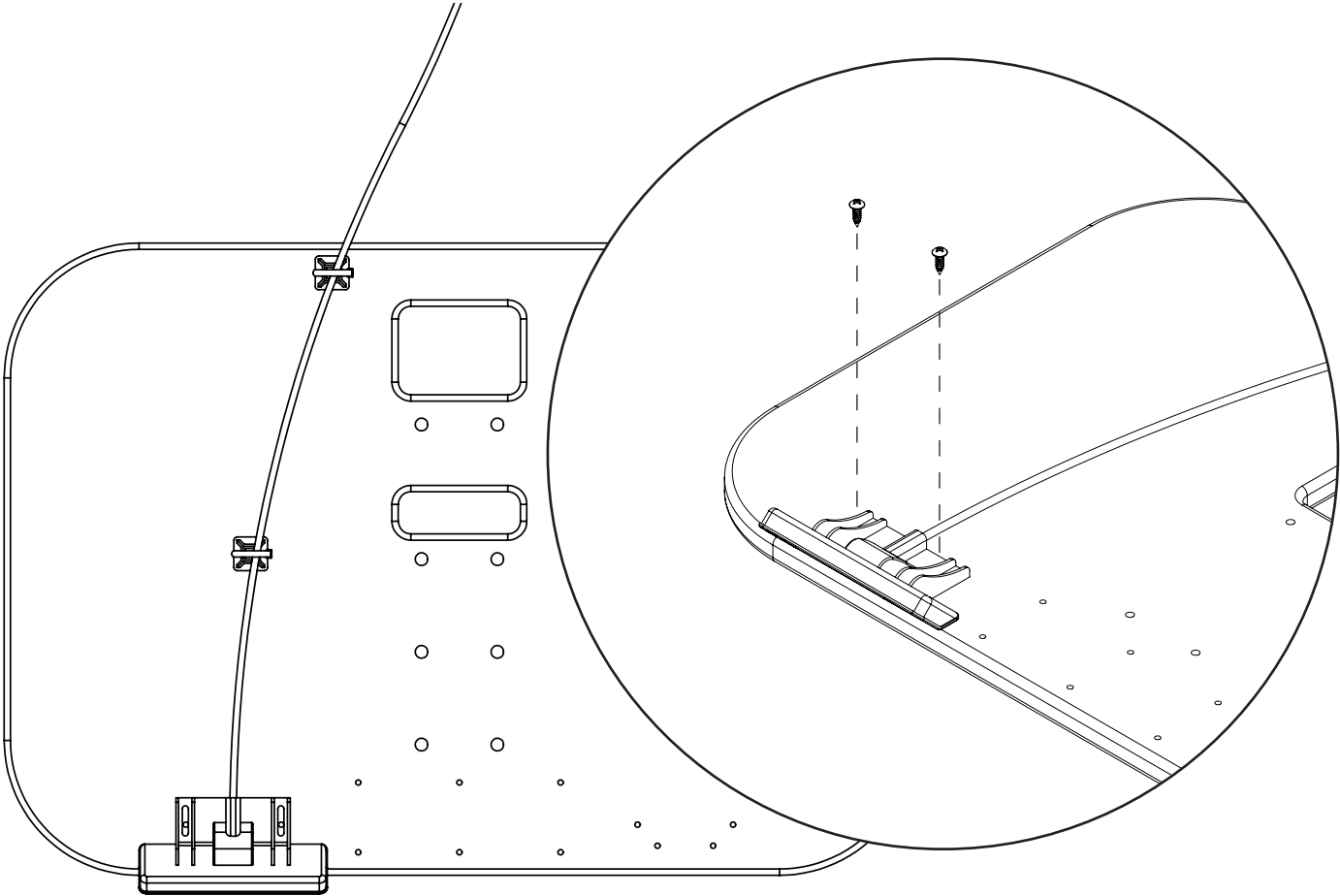
Attach the Column Bracket to the Lower Support Arm using the M8-10mm Button Head Screw.



Step
8a

Desktop Platform

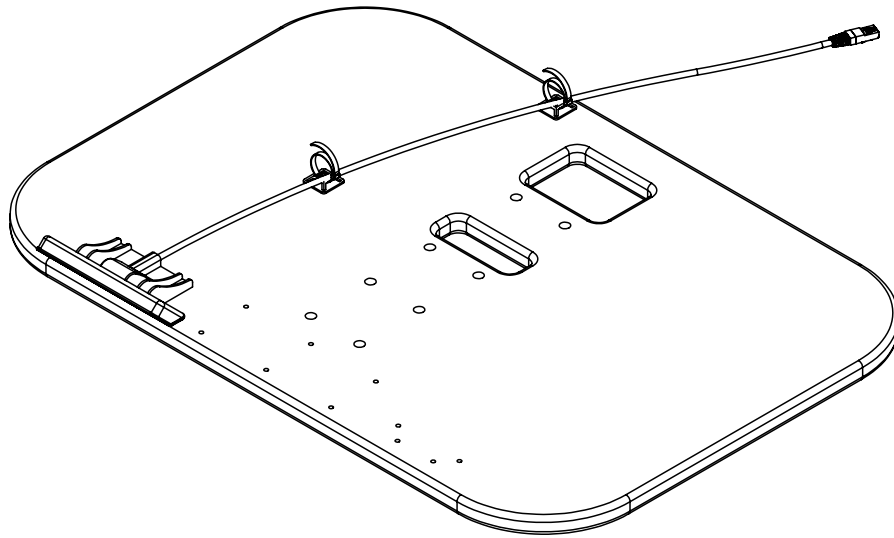
Attach the included Control Panel (Basic or Programmable) to the Desktop Platform (Standard or Pro) using the two #10 – 5/8" Wood Screws. Note that the Desktop Platform offers both left and right handed positions.



Step
8b

Adhesive Cable Ties

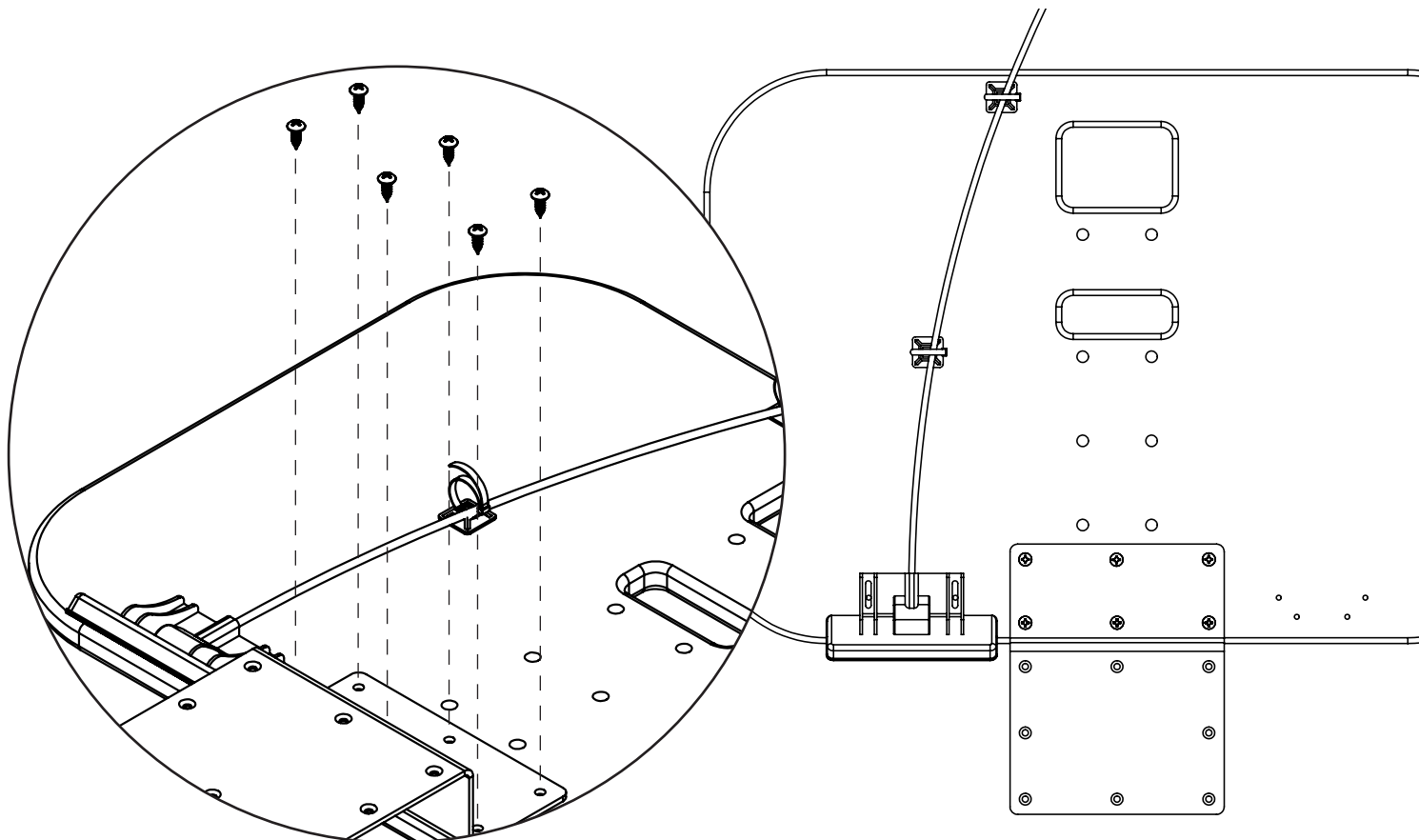
The cable can be held cleanly in place using the included Adhesive Cable Ties.



Step
8c

Lower Pro Bracket (XE Pro Only)

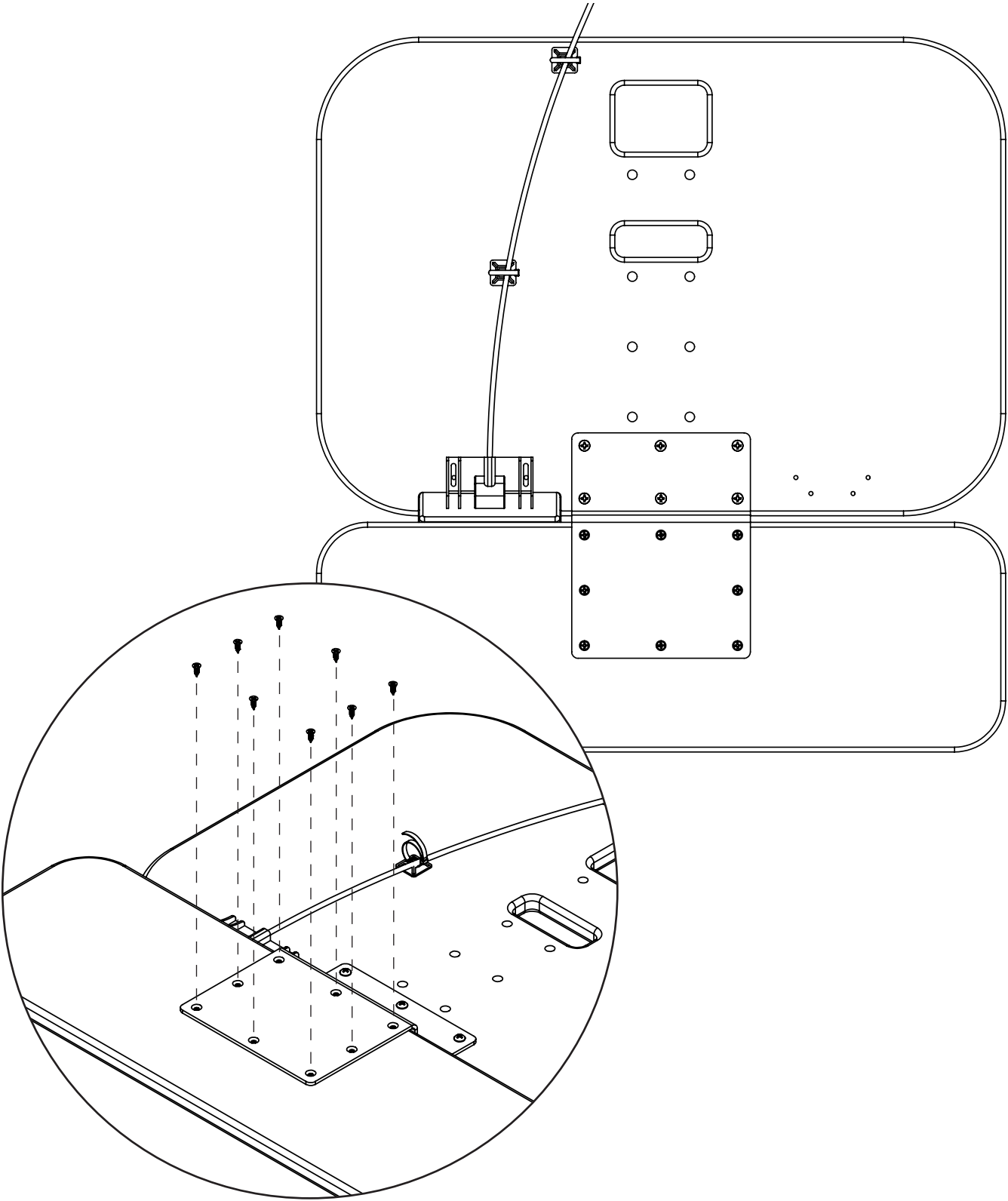
Attach the Lower Pro Bracket to the larger upper Pro Desktop Platform using the six #12 – 5/8" Wood Screws.



Step
8d

Pro Platform (XE Pro Only)

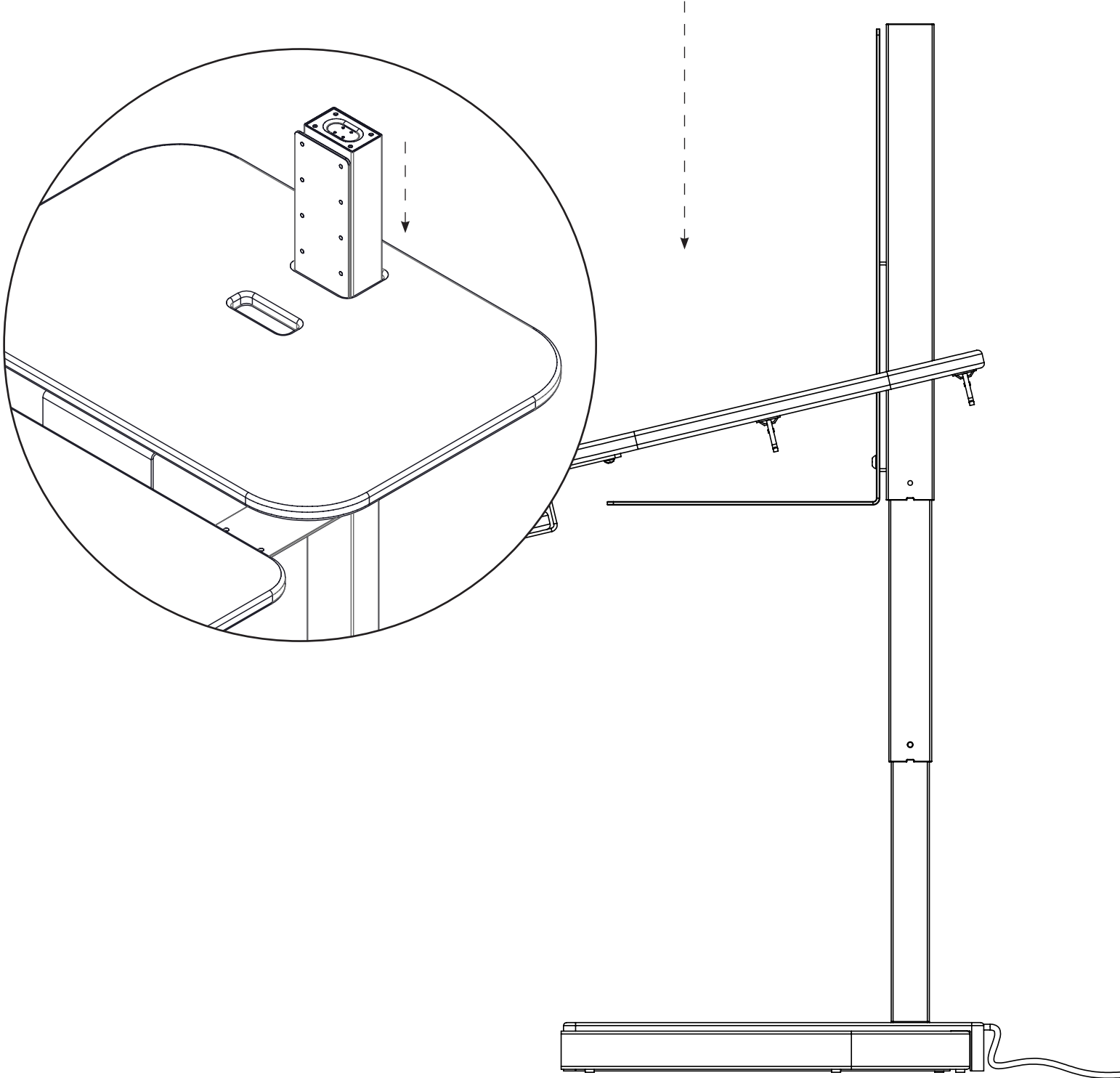
Attach the lower Pro Desktop Platform to the Lower Pro Bracket using the eight #8- 1/2" Wood Screws.



Step
9a

Install Platform

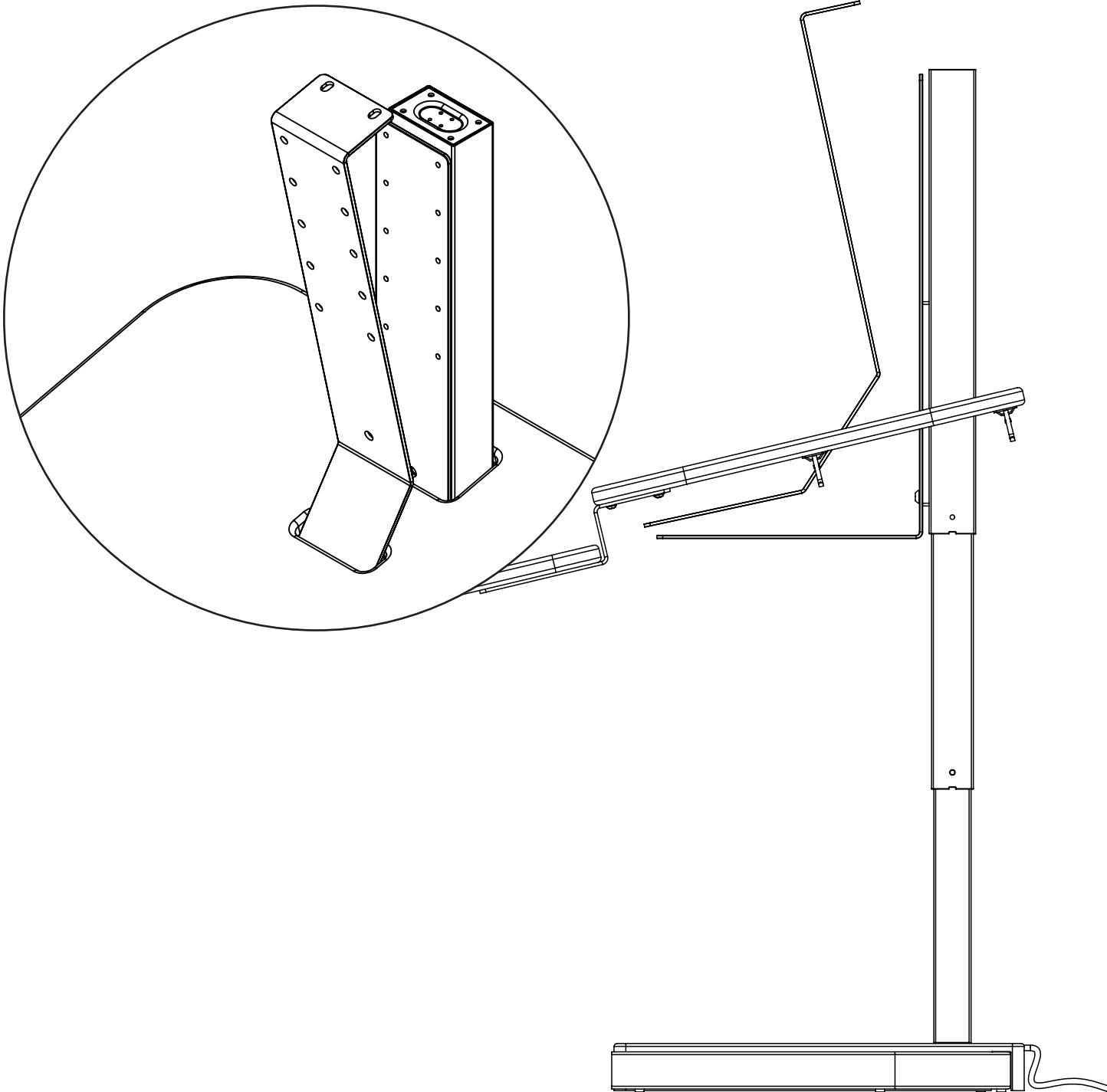
Slide the desktop and control panel assembly over the top of the Lifting Column. About 75% of the way down, tilt the platform 45 degrees and allow it to rest on the Support Arm as shown below.



Step
9b

Upper Support Arm

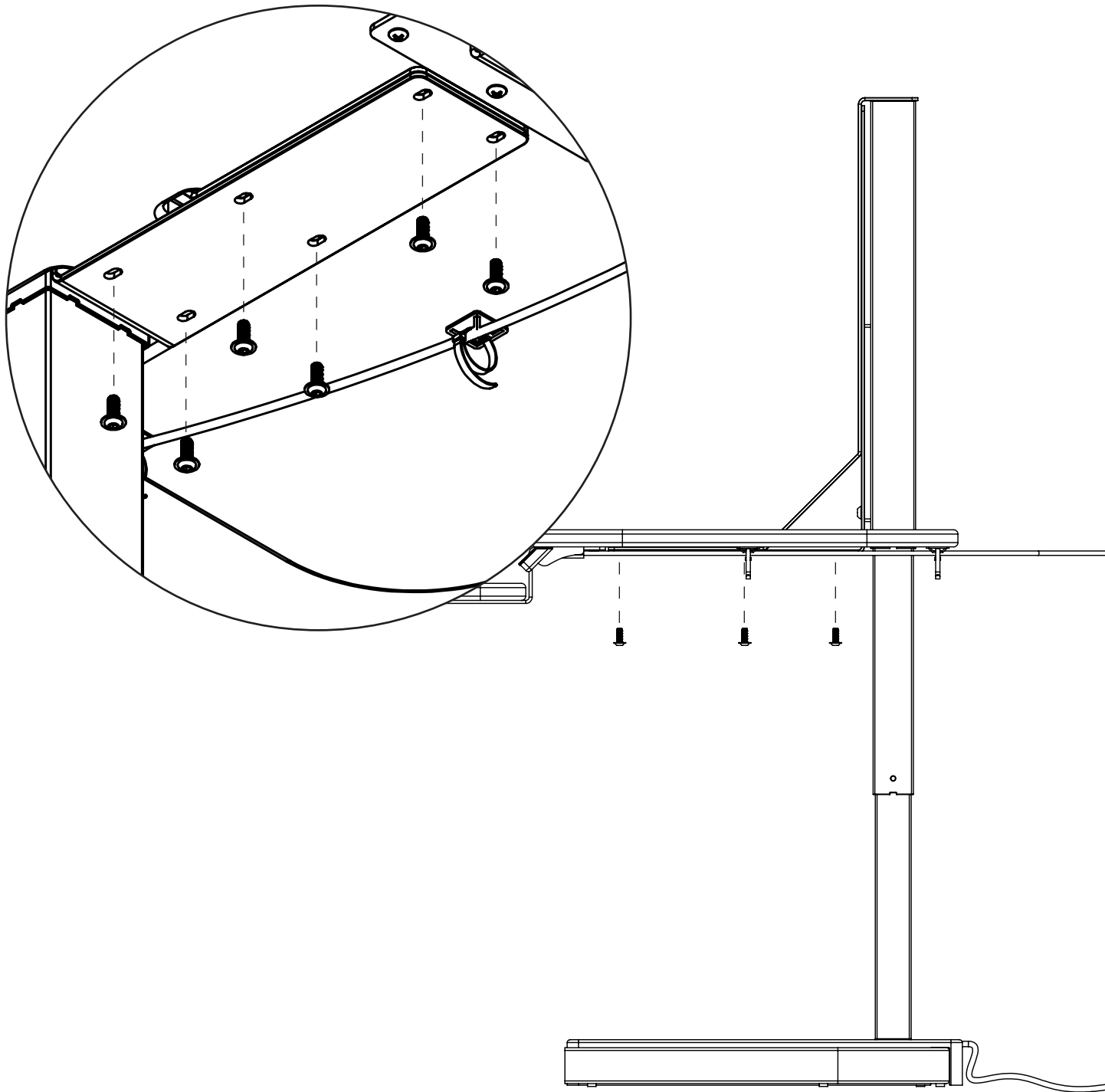
Thread the outer arm through the front opening of the desk. It should look similar as the figure below. Using two hands to support the platform, bring it to level and allow it to rest flat on the arms. The upper arm should slide into place and sit flush with the inner arm.



Step
9c

Attach Platform

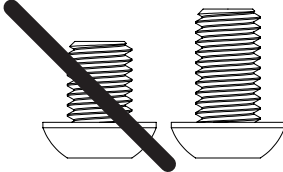
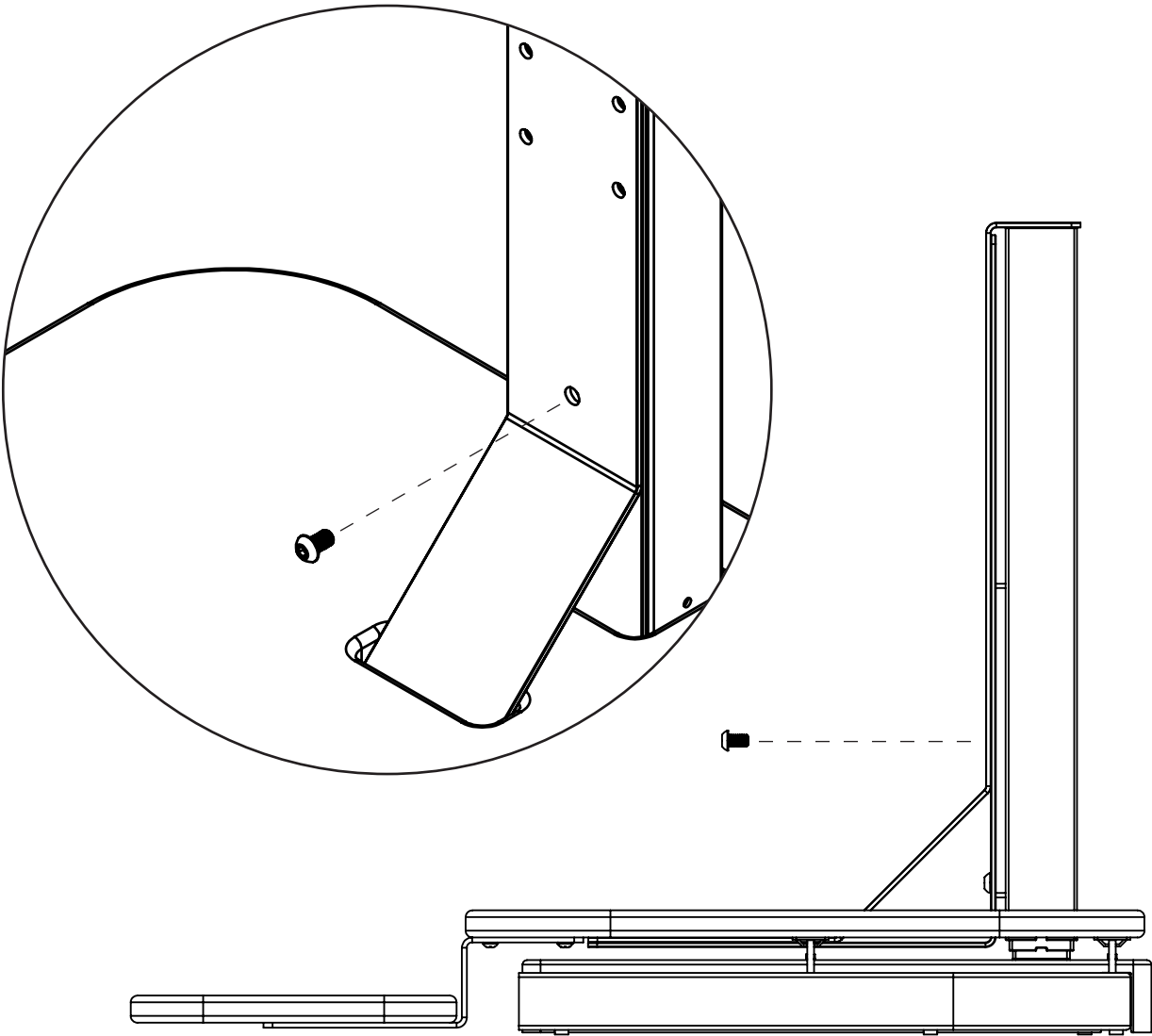
Attach the Support Arm to the Desktop Platform using the six remaining M6-25mm Button Head Screws.



Step
9d

Install Arm Screws

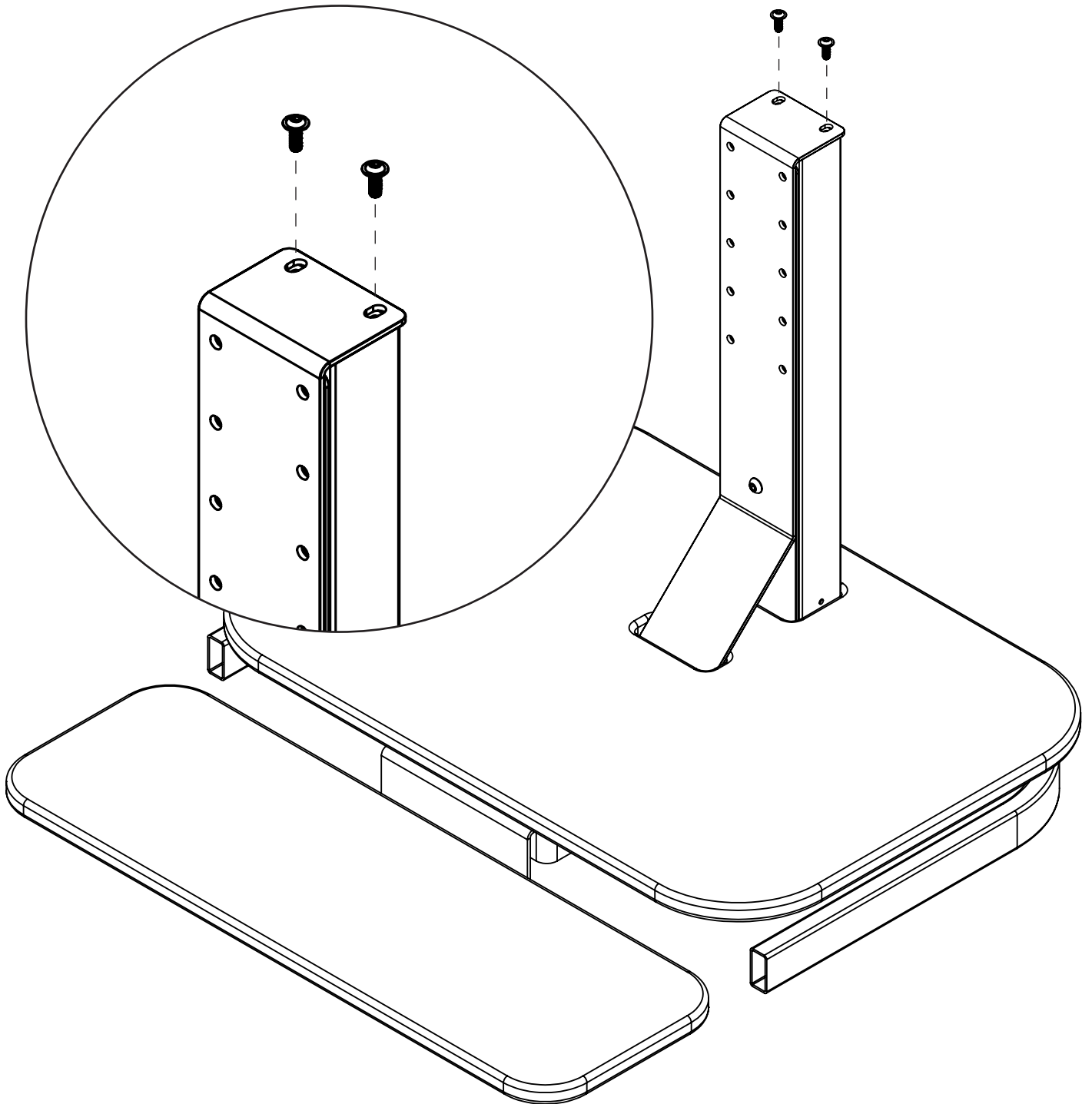
Lower the Desktop Platform using the down arrow on the Control Panel.
Attach the M8-14mm Button Head Screw as shown.



Step
10

Install Cap Screws

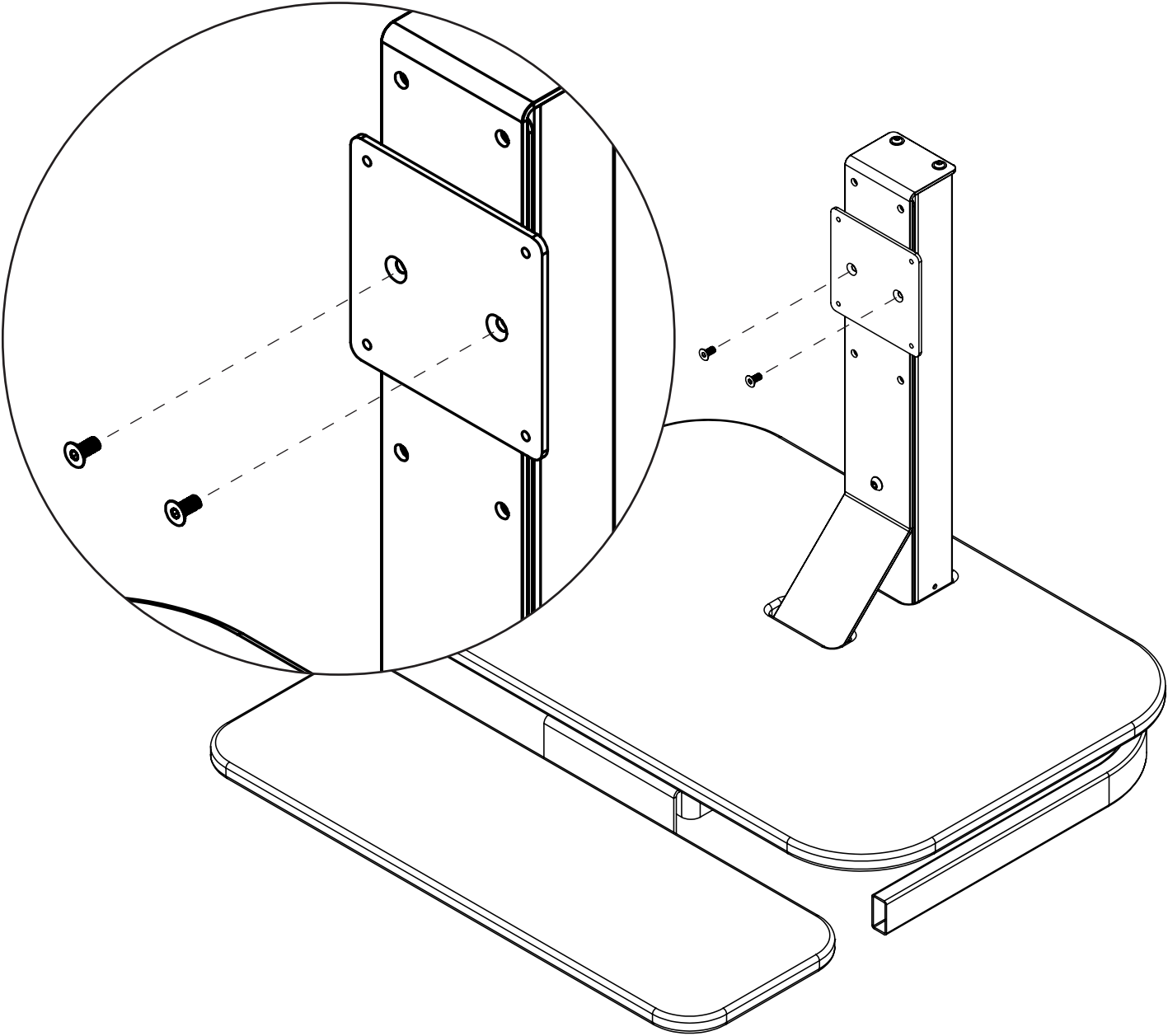
Attach the Column End Cap to the top of the Lifting Column using the two remaining M6-25mm Button Head Screws.



Step
11

Vesa Mount

Attach the Vesa Mount using the two M6-14mm Flat Head Screws. There are five available height locations to choose from. Choose the location based what you find most appropriate for your height.

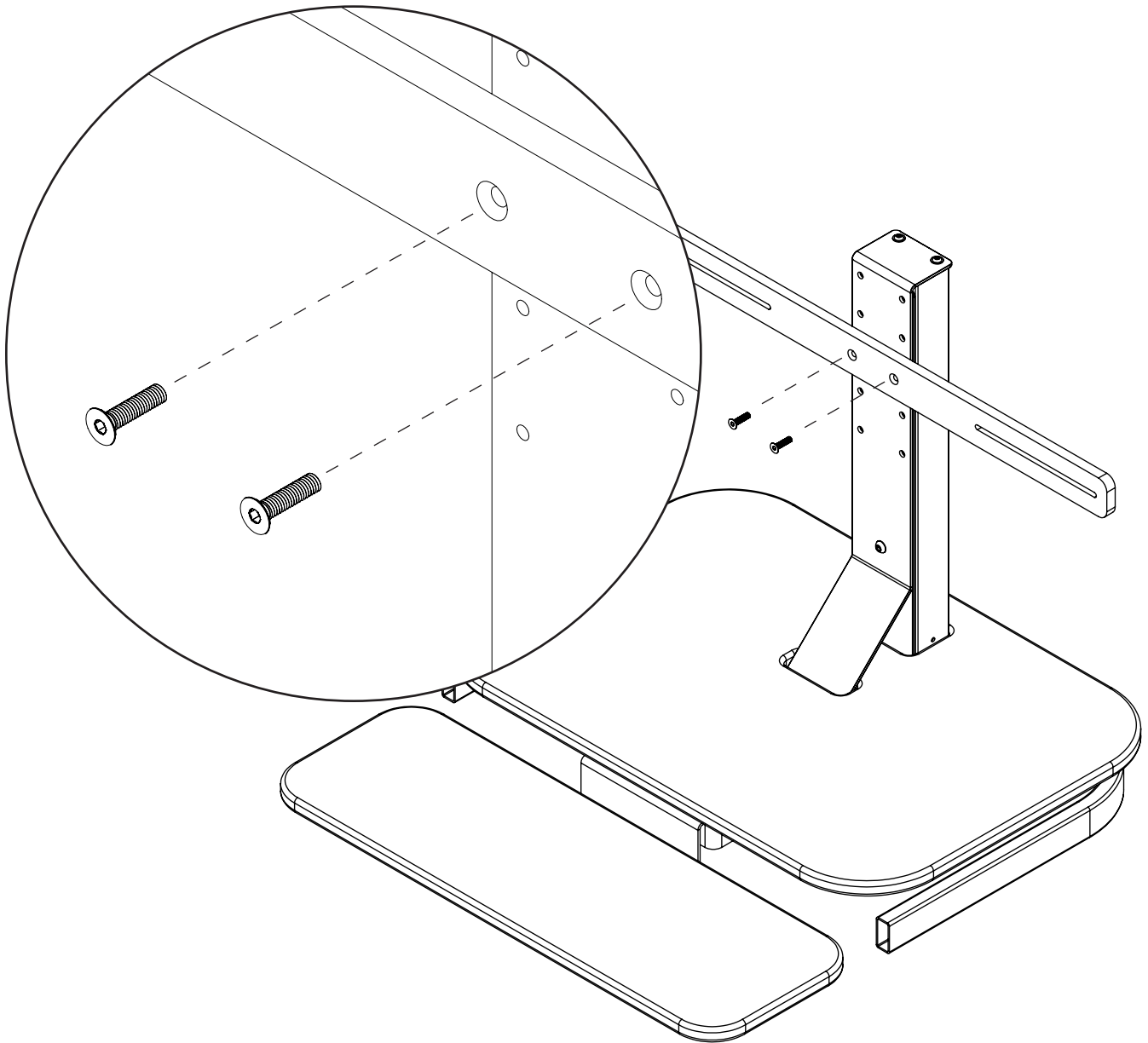


Step
12a

Dual Vesa Mount (optional)

Attach the long Dual Monitor Arm to the Support Arm using the two M6-25mm Flat head Screws included with the Dual Monitor Arm kit.

There are 5 available height locations to choose from. Choose the location based what you find most appropriate for your height and monitor size.



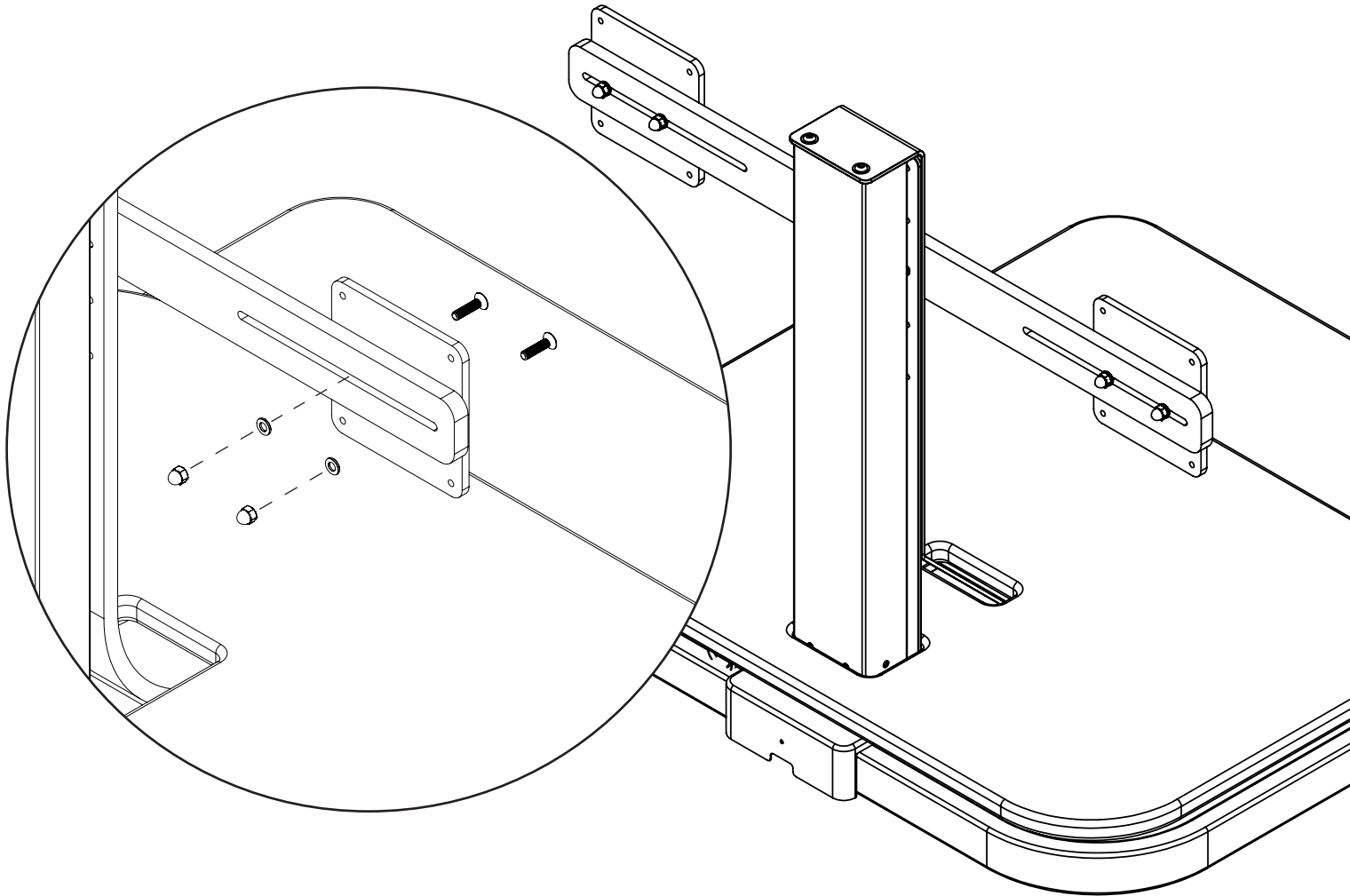
Step
12b

Dual Vesa Mount (optional)

Attach the Vesa Mount to the Dual Monitor Arm using two of the M6-25mm Flat Head Screws included with the Dual Monitor Arm kit. Use two of the M6 washers and nuts to secure as shown in the image.

Repeat above for the other Vesa Mount included in the original CrossOver frame box.

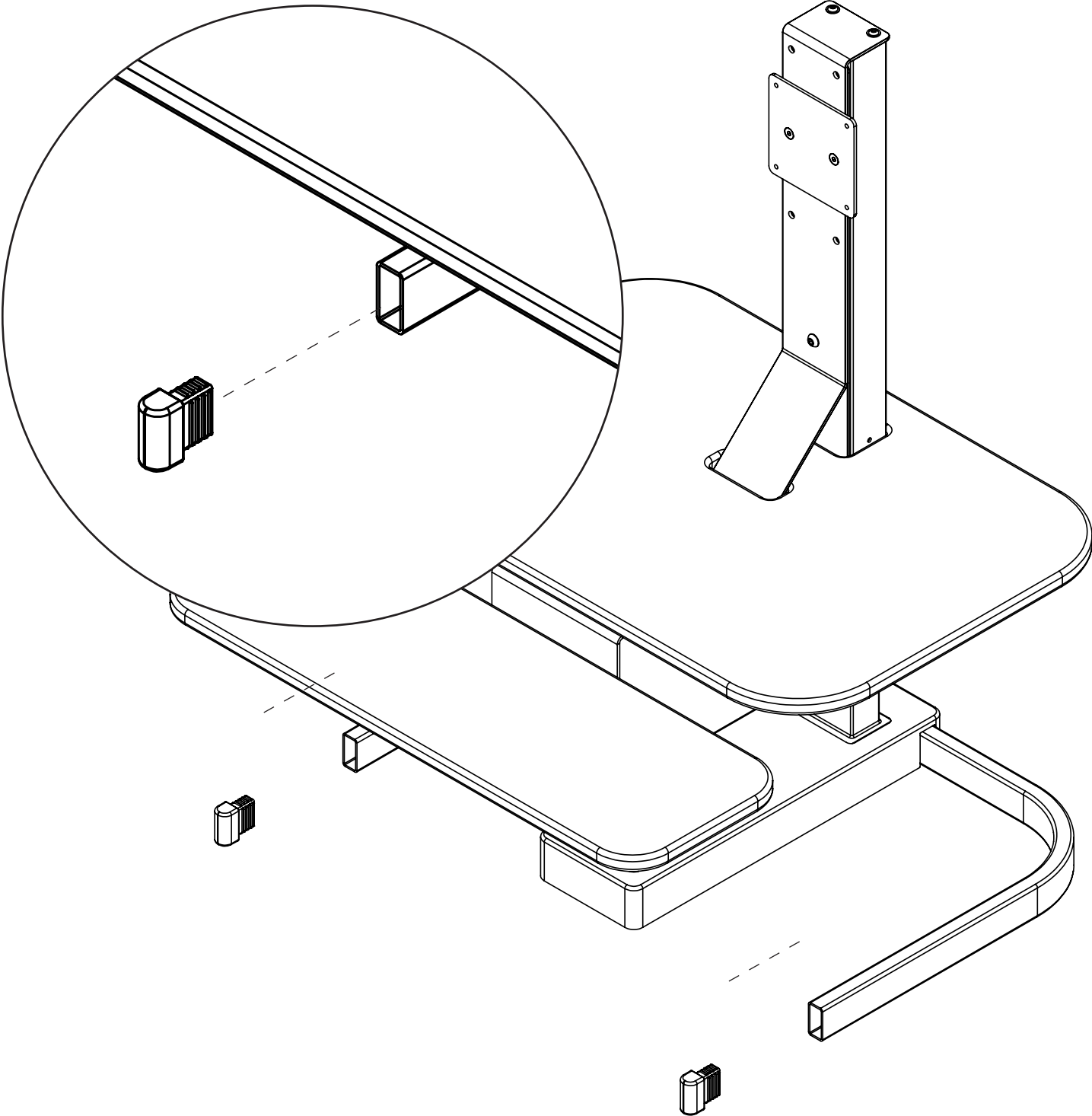
Note: Do not over tighten the nuts for the Vesa Mounts. Some side to side movement will be needed to properly align the two monitors.



Step
13

Base Caps

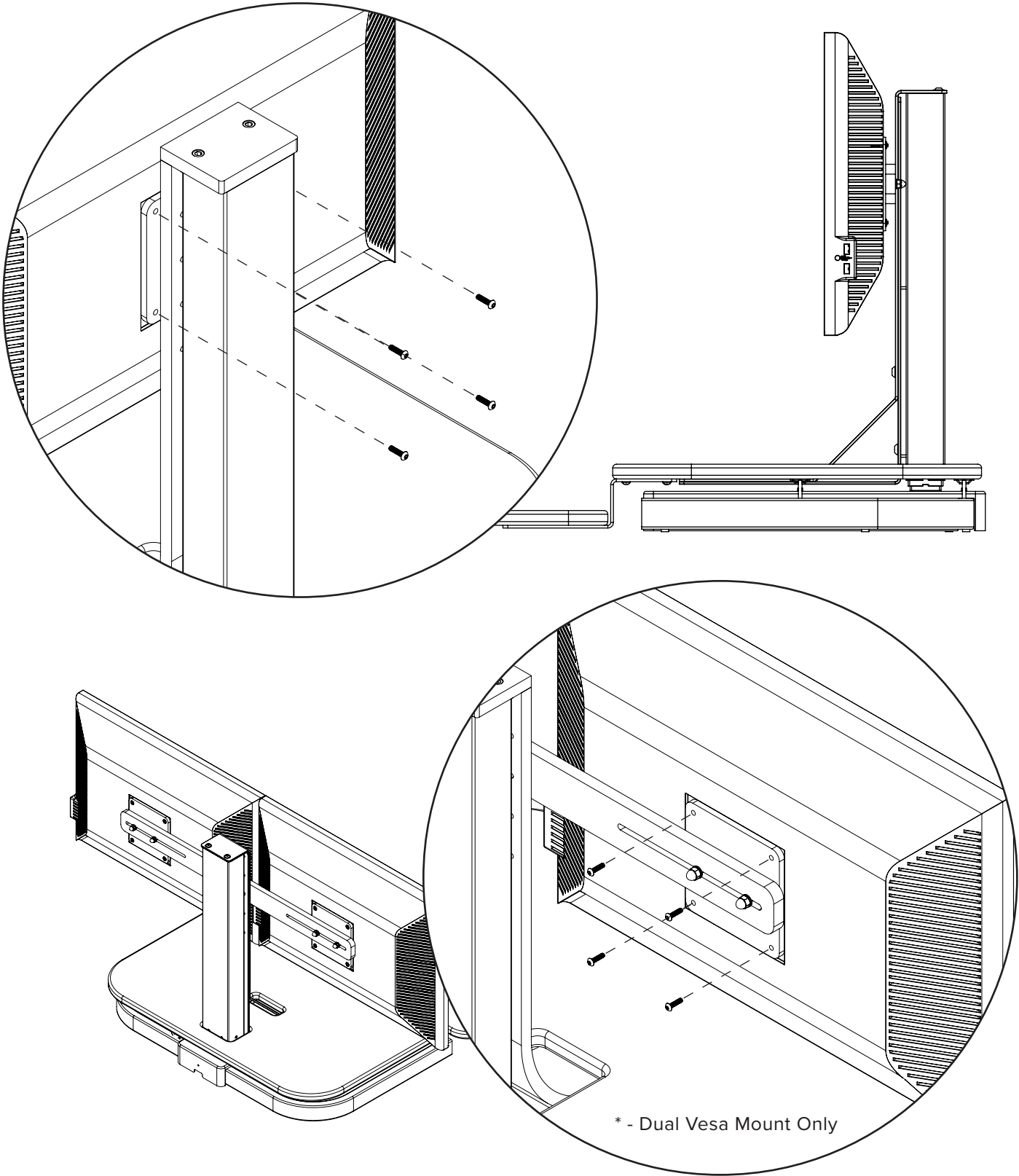
Snap on the Base Caps on the front facing openings of the Base Foot. Flip the cap so the most attractive side of the cap is visible and facing upward.



Step
14

Mount Monitor

With the help of a second person, mount your Vesa-compatible monitor to the Vesa Mount using the four M4-16mm Button Head Screws.



Troubleshooting and Repairs

If your desk is not functioning properly it may need to be reset. Unplug the power cord for 20 seconds. Plug the power cord back in and follow the RESET procedure outlined below.

Press and hold DOWN button on Controller (#7) until platform reaches its lowest height. Release DOWN button. Press and hold DOWN button again until LED displays "RST" or about 10 seconds on non-LED models. Release DOWN button. Press and hold DOWN button again until platform slightly lowers, rises and stops. Release DOWN button. Your Evodesk XE. is now ready to use.

If your standing desk converter has a handset with an LED readout and it displays an error code "E01 - E13", confirm that all wired connections are secure (legs to cables, cables to control box). Then perform the reset procedure above.

If the error message persists after the reset procedure, contact Evodesk.

If the handset displays "Hot", allow the CrossOver to cool down for 20 minutes.

Limited Warranty

SCOPE OF WARRANTY

Evonomic Technologies, Inc. (“Evodesk”) warrants to the original purchaser its new standing desk converter (except for components not warranted under “Exclusions”) manufactured by Evodesk to be free from defects in material and workmanship under normal use and service. Evodesk’s obligation under this warranty is limited to the repair or replacement, at Evodesk’s option, of the parts or the products the defects of which are reported to Evodesk within the applicable warranty period and which, upon examination by Evodesk, prove to be defective.

APPLICABLE WARRANTY PERIOD

The applicable warranty period, measured from the date of delivery to the original user, shall be five (5) years for all warranted standing desk converters.

EXCLUSIONS

This warranty does not cover and Evodesk shall not be liable for the following:

(1) repairs and replacements because of misuse, abuse, negligence, alteration, accident, freight damage, or tampering; (2) products which are not installed, used, and properly cleaned as required in the Evodesk “Installation” and or “Installation / Operation Manual” for this applicable product. (3) products considered to be of a consumable nature; (4) Shipping to or from repair center; (5) accessories or parts not manufactured by Evodesk; (6) charges by anyone for adjustments, repairs, replacement parts, installation, or other work performed upon or in connection with such products which is not expressly authorized in writing in advance by Evodesk.

EXCLUSIVE REMEDY

Evodesk’s only obligation under this warranty is the repair or replacement of defective parts. Evodesk shall not be liable for any direct, special, indirect, incidental, exemplary, or consequential damages or delay, including, but not limited to, damages for loss of profits or loss of use.

NO AUTHORIZATION

No person or firm is authorized to create for Evodesk any other obligation or liability in connection with the products.

THIS WARRANTY IS Evodesk’S ONLY WARRANTY AND IS IN LIEU OF ALL OTHER WARRANTIES, EXPRESSED OR IMPLIED. Evodesk MAKES NO IMPLIED WARRANTIES OF ANY KIND INCLUDING ANY WARRANTIES OF MERCHANTABILITY OR FITNESS FOR ANY PARTICULAR PURPOSE. THIS WARRANTY IS LIMITED TO THE REPAIR OR REPLACEMENT OF DEFECTIVE PARTS.

Notes

Notes

evodesk™ XE

2530 Shell Road

Georgetown, Texas 78628

(855) 718-1601

Evodesks.com